

ASA-72

Alarm Status Panel

The ASA-72 provides **alarm status** for 72 alarm zones, **reader activity**, **reader status** and **employee attendance register** (when used with ASW-16 program or AP-550 system). It contains its own processor and serial communications link to the AP-550 reader or AAM-80/20 alarm/access multiplexer. The ASA-72 monitors and displays alarm and zone trouble as well as non-alarm status. A single tri-color LED per zone displays red for Alarm, orange for Trouble and green for Non-alarm zone status. The ASA-72 contains an audible alaer (buzzer), and alarm acknowledgement and LED test switches. Unacknowledged alarm/troubles flash LEDs and acknowledged alarm/trouble LEDs are ON steady. The user can type zone ID on paper-board name plates which are provided, and then insert them adjacent to the LEDs. Alarms/troubles can be acknowledged using the acknolwedgement push button switch (ACK) or over the communication link from AAM-80/20.

The ASA-72 also monitors and displays reader activity and reader status. Conditions such as access granted/denied, duress, on-line, off-line, tamper, held open, forced open and auxiliary alarm are displayed on the ASA-72. Also a LED (HOST) is provided to indicate if the ASA-72 is communicating with the system.

An additional four LEDs (ON LINE) are provided to indicate if each alarm input module is on-line and communicating with the system. A test switch (TEST) verifies all LED conditions (alarm, trouble or secure).

The ASA-72 can display the alarm/trouble status of up to four APA-15/16 or APD-15 alarm input modules. The alarm input module status is mapped to the ASA-72 by the AP-550 reader or the AAM/AAN processor module. Each AAM/AAN module can support four 72 zone alarm status panels (ASA-72). Each ASA-72 comes enclosed in a cabinet with 115/230 Vac or 24Vdc power input.



The ASA-72 provides the following features:

- 72 Tri-color LEDs (alarm/trouble/OK status)
- Monitors alarms, troubles, non-alarm, duress
- Provides local acknowledgement
- Provides local LED test audible output upon new alarm or trouble
- Supports 72 zones (4 sixteen zone alarm input modules and reader alarms)
- RS-485 serial communications
- Provides one on-line communication LED for each alarm input module (4 total)
- Monitors alarm panel tamper/power fail



3610 Birch Street
Newport Beach, California 92660-2619 USA
Phone 949-852-8178 • FAX 949-852-8172
<http://www.apollo-security.com>
E-mail: apollo@netbox.com

Typical ASA-72 Application

ASA-72 Reader Activity Column

RED = Access Denied
 RED FLASH = Duress/Flash until acknowledged
 GREEN = Access Granted

ASA-72 Alarm Status Column

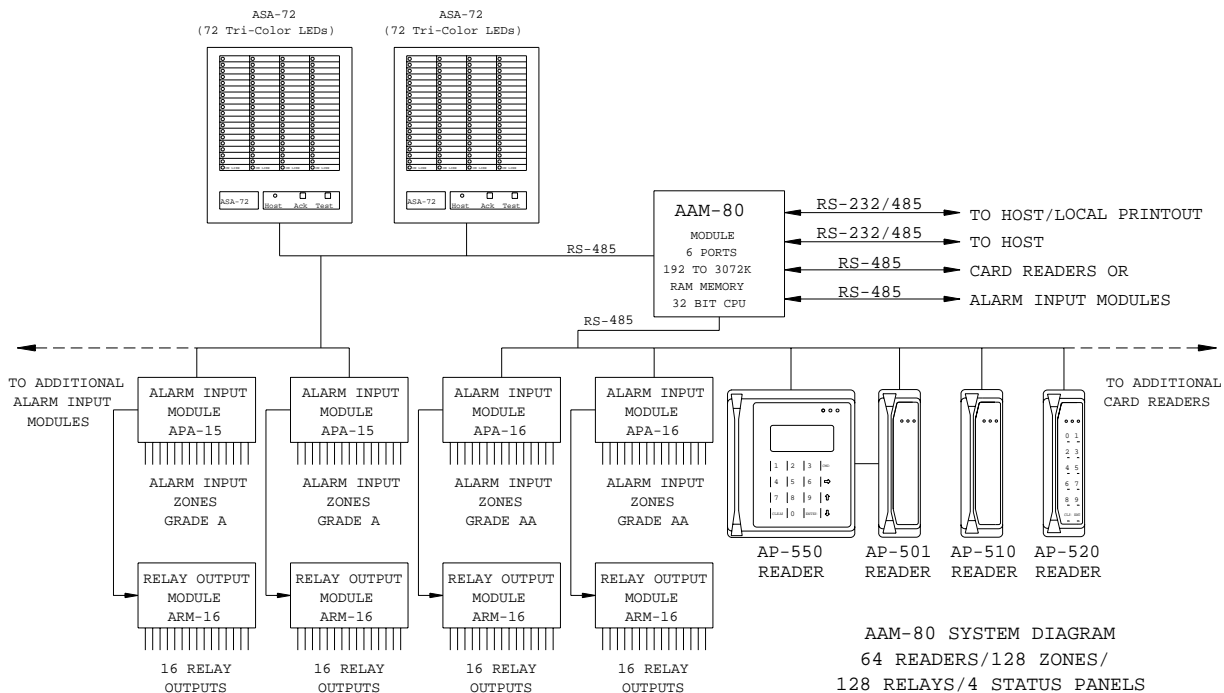
RED = Alarm/Flash until acknowledged
 ORANGE = Trouble/Flash until acknowledged
 GREEN = No Alarm

ASA-72 Reader Status Column

OFF = Not Configured
 ORANGE = Reader Off-line
 GREEN = Reader On-Line/No Alarms
 RED = Alarm (forced/held-open, tamper, aux)
 Flash until acknowledged

ASA-72 Cardholder Attendance Register

OFF = Out of building
 RED = Meeting or busy
 GREEN = In office
 ORANGE = In facility



Each AAM-80 supports up to four ASA-72 seventy-two zone alarm status panels, 64 card readers or up to 512 alarm zones. RS-485 supports distances to 4000 feet (1200 meters) without modems. The APX-10 extends this range to 8000 feet (2400 meters)

The ASA-72 monitors the following:

- Alarm cabinet tamper and power fail.
- Alarm panel zones.
- Reader alarms (forced/held open, tamper and aux).
- Reader activity (access granted, access denied or duress).
- Monitors Employee attendance

3610 Birch Street
Newport Beach, California 92660-2619 USA
Phone 949-852-8178 • FAX 949-852-8172
<http://www.apollo-security.com>
E-mail: apollo@netbox.com

Note: Information contained in this document is subject to change without notice.