

APM-10/11

Star Configuration Splitter

The APM-10/11 expands a single (host) port to 8 RS-485 ports in a star configuration (refer to figure 2). All outgoing data (T+ / T-) is broadcast simultaneously on all 8 ports.

The host port interface can be RS-232 or RS-485. An appropriate line terminator must be used at the end of the RS-485 lines. Use line terminators ATM-48 (P/N 470-030) with APM-10, and ATM-87 (P/N 470-034) with APM-11 refer to figure 2 for terminator wiring.

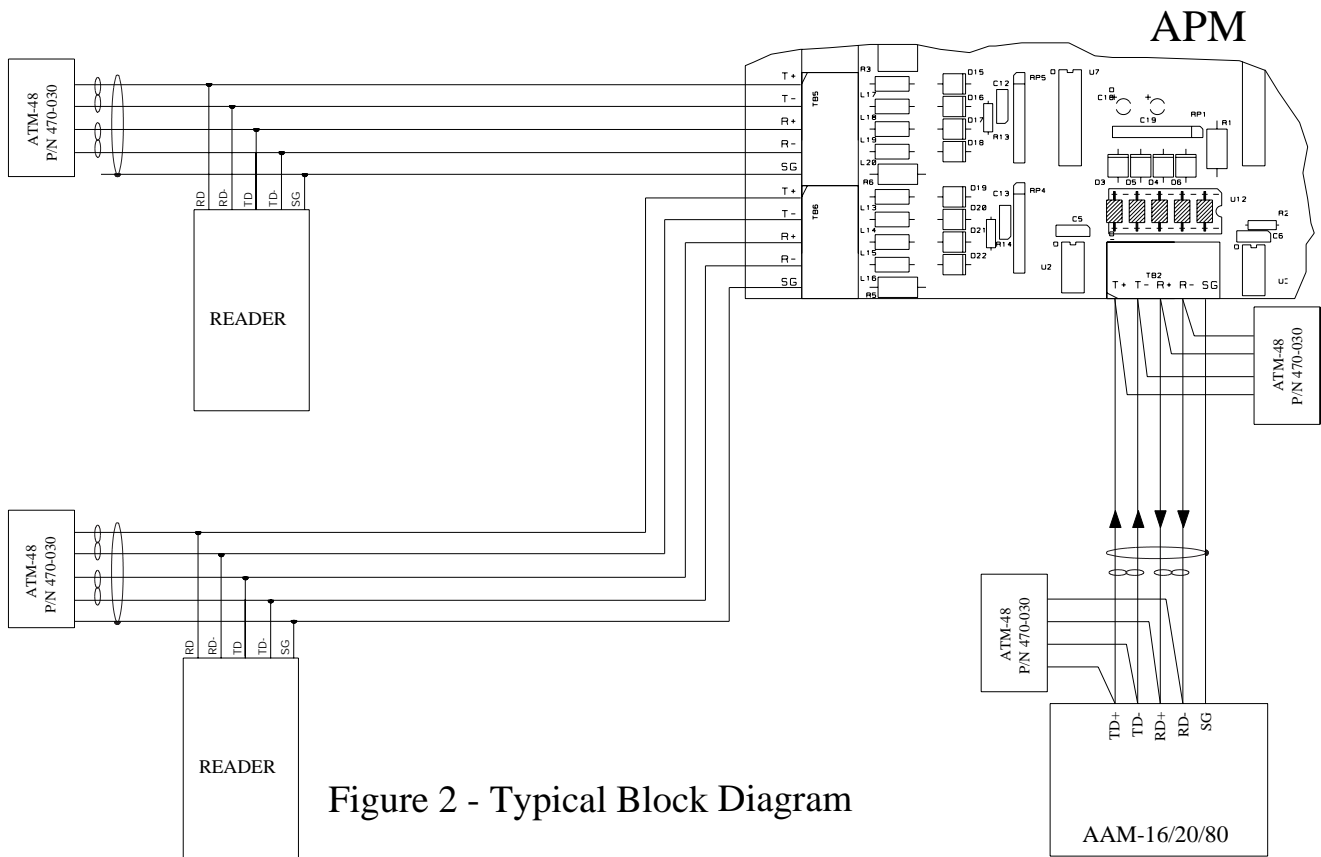


Figure 2 - Typical Block Diagram

SPECIFICATIONS

Note: Information contained in this document is subject to change without notice.

101178-14A

Power Requirements:	+12 to +24 Vdc @350 mA
Operating Temperature:	0 to +50° C (-32° to +122° F)
Storage Temperature:	-40 to +85° C (-40 to +185° F)
Relative Humidity:	0 to 95%, non-condensing



3610 Birch Street
 Newport Beach, California 92660-2619 USA
 Phone 949-852-8178 • FAX 949-852-8172
<http://www.apollo-security.com>
 E-mail: apollo@netbox.com